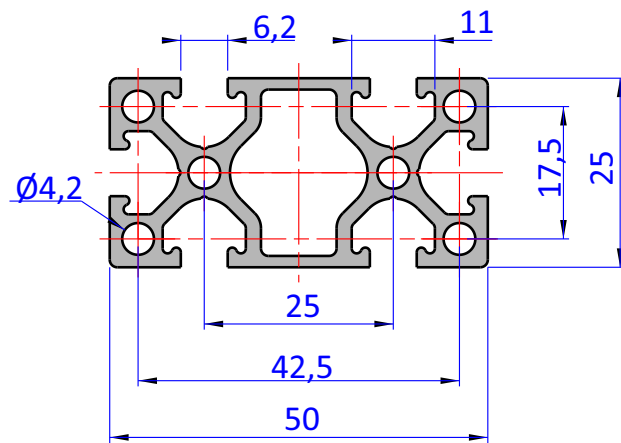
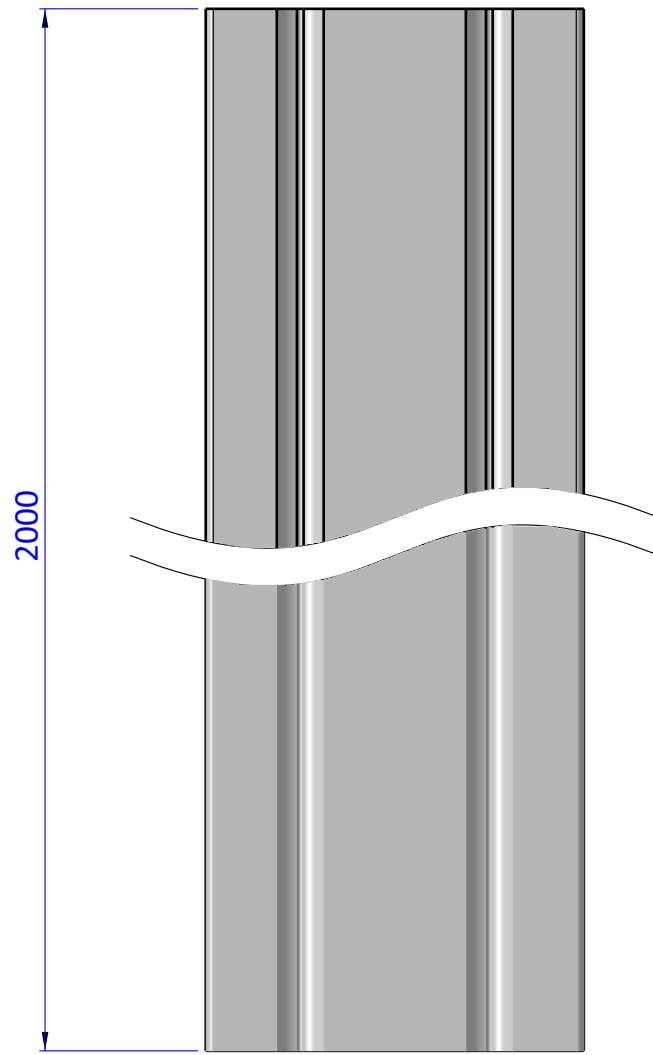


THE PROPERTY OF THE DRAWING IS ESTABLISHED BY LAW. IT IS FORBIDDEN TO PRODUCE OR SHOW IT TO THIRD PART. WITHOUT A WRITTEN AGREEMENT.

Item	Name	Q.ty
1	CA.X.5025.2000	1



DESIGNED FROM		REVIEW
FPS Automation		A
DATE	WEIGHT	
11/03/2020	2,311kg	
CODE		
CA.X.5025.2000		

Format	A4
GENERAL TOLERANCE	
UNI - ISO 2768	
CLASSE f	
UNI 936-76	

DESCRIPTION	
CA.X.5025.2000	